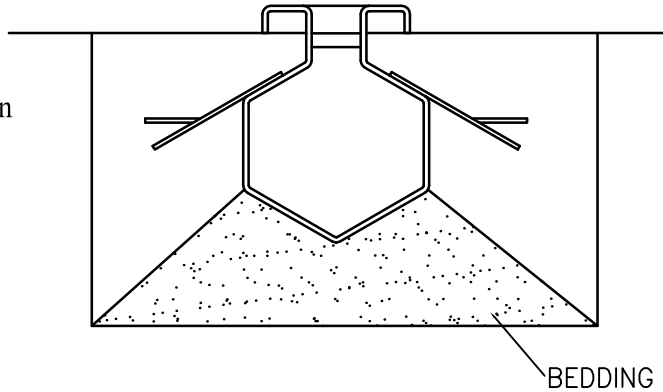


INSTALLATION GUIDELINES FOR SUPASLOT CHANNEL.

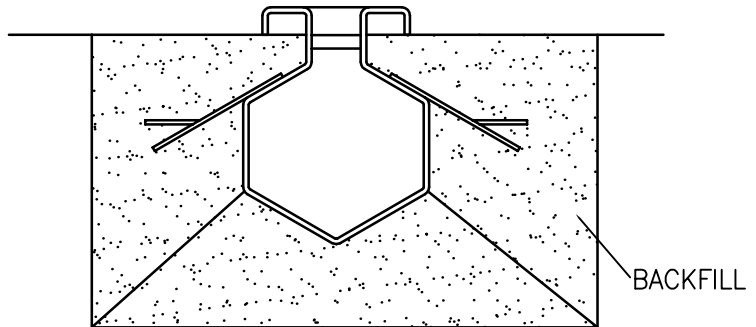
Note: Care should be taken at all times not to damage the show face.

Bolt channel sections together at flanges, where applicable, sealing flange faces with sealant provided.

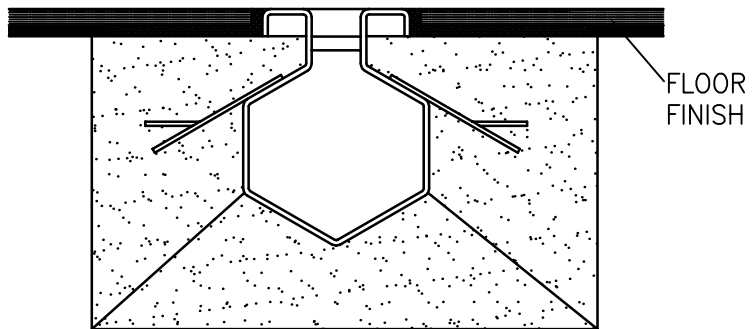
Place bedding in channel pocket and position channel in bedding such that the top face of the channel is flush to 1mm sub flush with finished floor level. Support channel in this position until bedding is set.




Backfill pocket until backfill is at finished floor level less the floor finish thickness to be applied.



Apply final floor finish.



© 2006

ISS. No.	2	3		DRAWN	DC	9-10-01	TITLE SUPASLOT CHANNEL INSTALLATION	
C.N. No.	2887	3720		CHECKED				
DATE	9-10-01	7-7-06		APPRVD.				
		MATERIAL 50910016#1				SCALE NTS	DRG. No. INSTAL 18 SHEET 1 OF 2	ISSUE No. 3

WADE INTERNATIONAL LTD., THIRD AVENUE, HALSTEAD, ESSEX, CO9 2SX.

TEL: 01787 475151 FAX: 01787 475579

e-mail: tech@wade.eu website: www.wade.eu