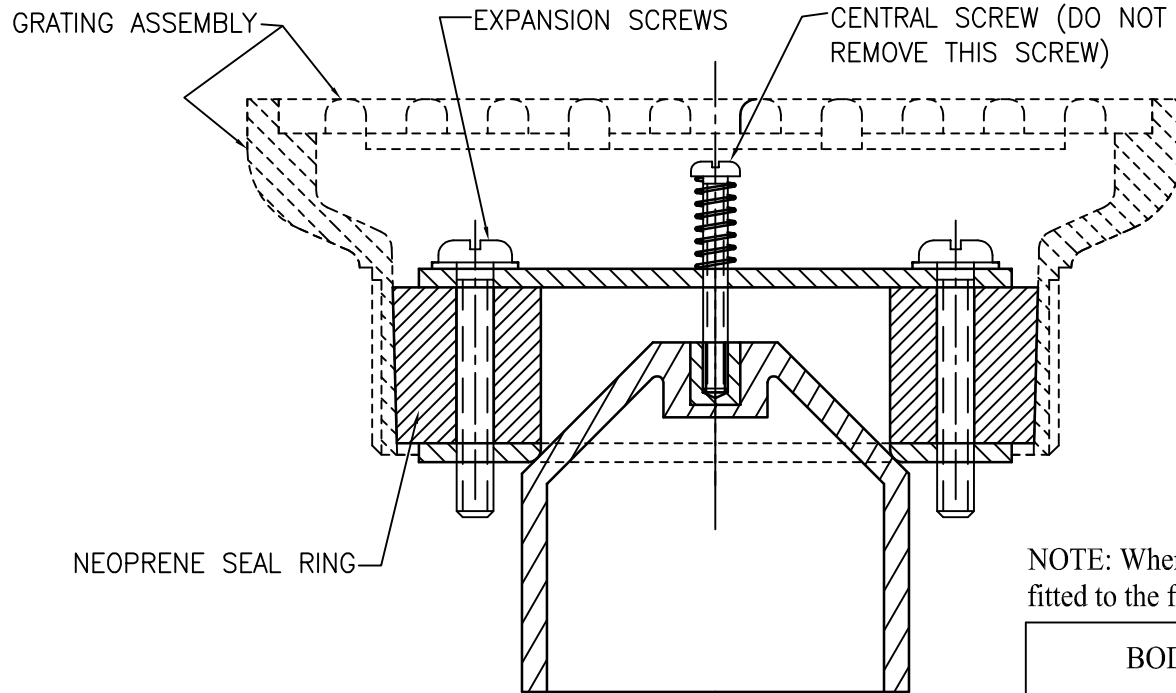


NOTE:
IN ORDER TO FUNCTION CORRECTLY THE BACKWATER VALVE MUST BE INSTALLED VERTICALLY AS ILLUSTRATED.



General Installation Instructions.

1. Remove grating from the grating assembly.
2. Tighten 4 expansion screws sufficiently to expand the neoprene seal ring such that it will just touch the sides of the bore into which the assembly is to be used.
3. Position the Backwater Valve assembly in the bore of the grating assembly ensuring that when the grating is fitted it does not prevent the central screw from lifting to the 'closed' position, also check that there is no obstruction below the valve that will prevent it from opening. It is suggested that when the central screw is pressed, there should be a minimum of 5mm movement.
4. Tighten the 4 expansion screws to lock the backwater valve in position and effect a seal around the bore.

WARNING
 IN THE NON-EXPANDED (AS SUPPLIED) STATE, CARE SHOULD BE TAKEN TO PREVENT THE ASSEMBLY FALLING DOWN THE DRAIN.

NOTE: When the U704 Backwater Valve is to be used within a grating assembly fitted to the following drain bodies an extension will be required as indicated.

BODY SPEC CODE / TYPE	MINIMUM EXTENSION REQUIRED
B102, B202 Cast Iron Non-Trapped Bodies	U102
C202 Cast Iron Non-Trapped Body	U103
D1002 Cast Iron Non-Trapped Body	U103
D1207, D1208 Cast Iron Non-Trapped Bodies	U103
G2, G3, G5, G6 Series Cast Iron Trapped Bodies	U102
G8, G10 Series Cast Iron Trapped Bodies	U103
GD Series Cast Iron Trapped bodies	U102
GP Series ABS Trapped Bodies	UP104

DO NOT SCALE

ISS. No.	2	3		DRAWN	R.B.	27/8/08	TITLE U704 4" BACKWATER VALVE INSTALLATION GUIDE
C.N. No.	TABLE ADDED	4545		CHECKED			
DATE	20/12/10	23/05/12		APPROVED			



WADE INTERNATIONAL LTD.
 THIRD AVENUE, HALSTEAD, ESSEX, CO9 2SX. Tel: 01787 475151 Fax: 01787 475579
 e-mail: design@wade.eu website: http://www.wade.eu

50910046

SCALE NTS	DRG. No. INSTAL 43	ISS. No. 3
--------------	------------------------------	---------------